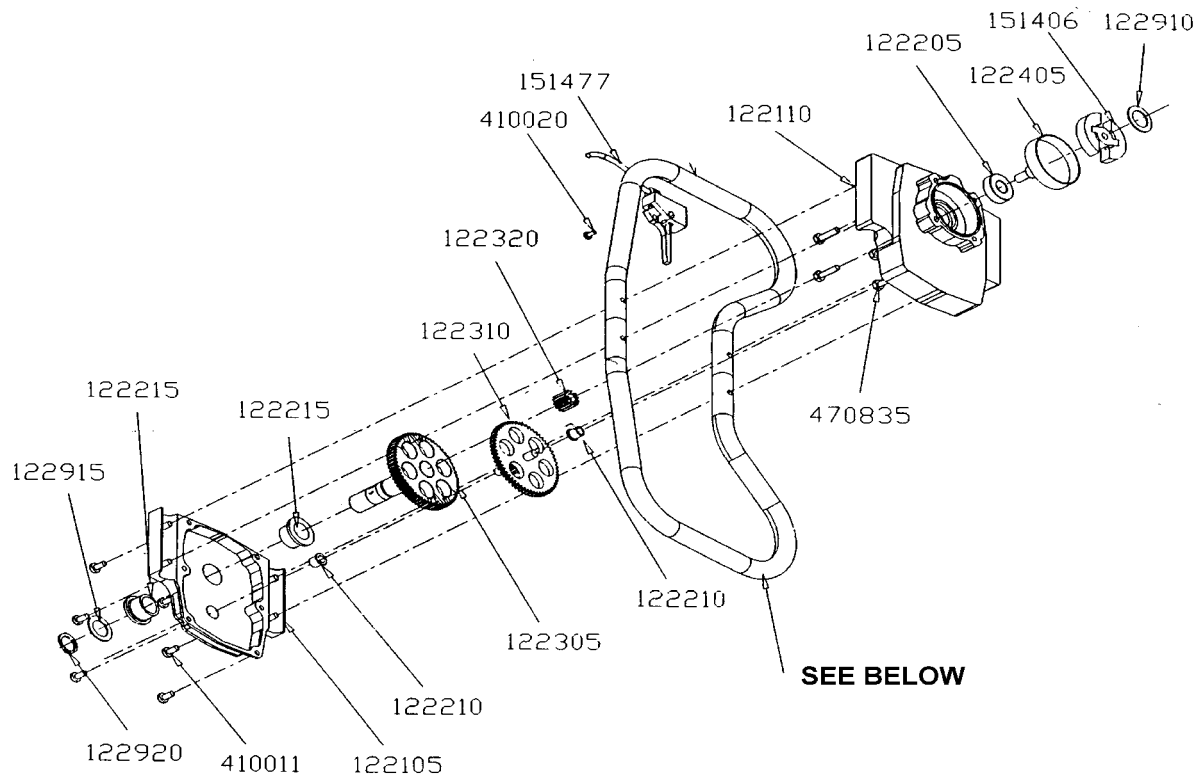
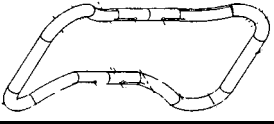



2 HP with PLAIN BEARING OUTPUT



1996 TO 2000 WITH TC 300-31XX MOTOR

	MAGNUM 2000 (BLACK HANDLES)		LASER MAG (RED RUBBER COATED)	
	THROTTLE SIDE	LEFT SIDE	THROTTLE SIDE	LEFT SIDE
 BUTTERFLY HANDLEBARS	15136005	15136010	15136205	15136210
 DELTA WING HANDLEBARS	151360DR	151360DL	151362DR	151362DL