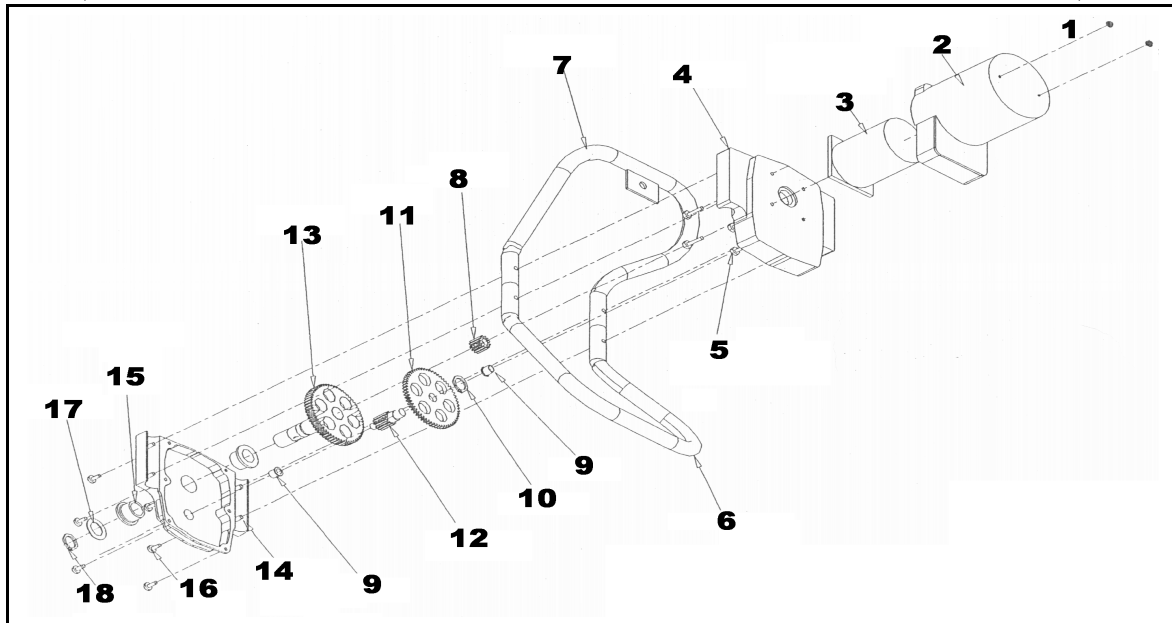


ELECTRA LAZER MODEL 211T-DH (DELTA HANDLE BARS 1998-2001)



Item	Part #	Description
1	410027	Nut, Acorn 10-24
2	151346	Motor Cover - MET
3	151438	Electric Motor - Square base
4	211110	Gear Case Casting, Electric Motor
5	470835	Screw, 1/4-20 X 1.25" Hex
6	151362 DL	Handle - Left Side - Lazer Mag Delta Wir
7	151388 DR	Handle - Switch Side - Electra Lazer
8	211325	Primary Pinion
9	122210	Flange Bearing
10	211920	Snap Ring
11	211310	Gear Laminate
12	211315	Pinion Shaft
13	122305	Drive Gear Assembly
14	122105	Gear Case Casting
15	122215	Flange Bearing
16	410011	Screw, 1/4-20 x 1" Torx Panhead
17	122915	Thrust Washer
18	122920	Snap Ring
Not Shown	151340	Switch, Momentary On/Off
Not Shown	151342	Switch Cover
Not Shown	151346	Power Cord