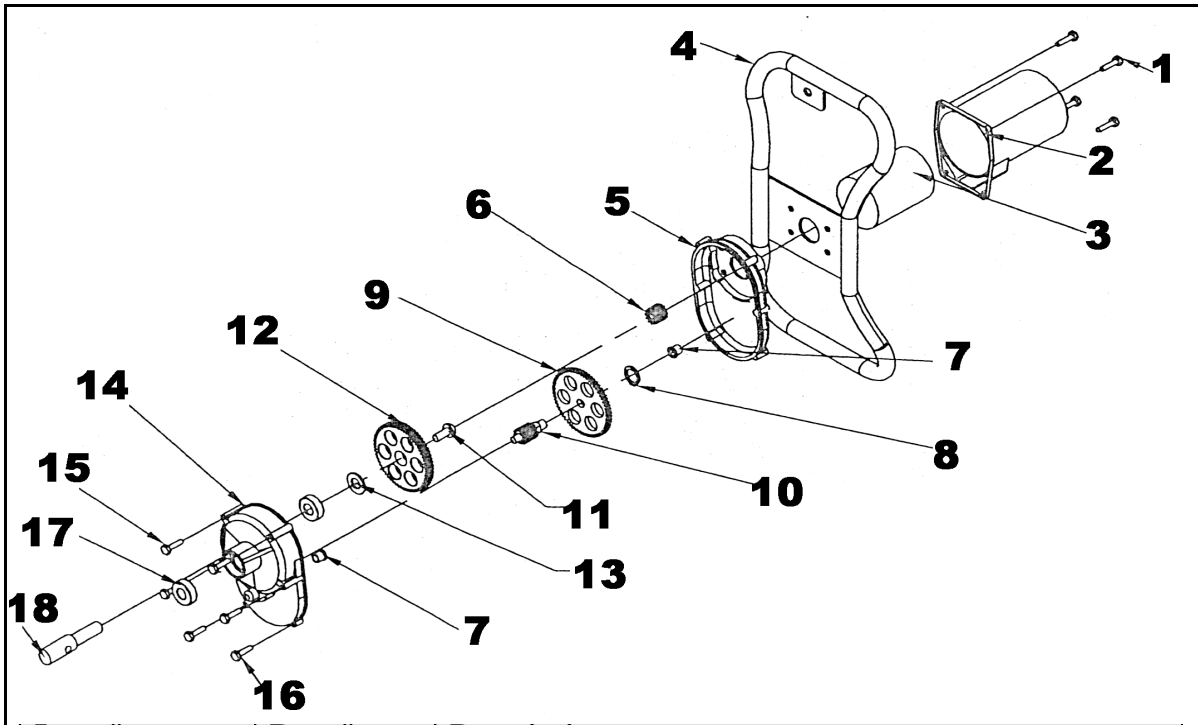


MODEL 208 BT

(One piece handlebars 1997 and Prior)



Item #	Part #	Description
1	410016	Screw, 10-32 x 1/2" Pan Head
2	151345	Motor Cover (through 1997 models)
3	151435	Electric Motor - Round Base
4	151388	Handle
5	211105	Gear Case Casting, Electric Motor
6	211325	Primary Pinion
7	122210	Flange Bearing
8	211920	Snap Ring
9	211310A	Gear Laminate - Heat Treated
10	211315A	Pinion Shaft
11	490008	Screw, 5/16-18 x .625" Torx Pan Head
12	113305	Gear Laminate
13	113930	Belleville Washer
14	113105	Gear Case Casting
15	410010	Screw, 10-32 x 1.875" Hex Washer Head
16	410018	Screw, 10-32 x 1" Hex Washer Head
17	122205	Ball Bearing
18	113950	Drive Shaft
Not Shown	151340	Switch, Momentary On/Off
Not Shown	151342	Cover, Switch
Not Shown	151346	Power Cord